



SINMAG
Company

BakerSeries Roll-in Proofer

Item No. _____
 Project _____
 Quantity _____

MODEL: LRP2 Series



Model LRP2-40 Shown (rack not included)

MODEL / RACK CAPACITY

Model / Depth	Side Load	End Load	Double
LRP2-30	2 Racks	3 Racks	None
LRP2-40	4 Racks	3 Racks	2 Racks
LRP2-50	5 Racks	5 Racks	2 Racks
LRP2-60	6 Racks	6 Racks	3 Racks
LRP2-70	7 Racks	7 Racks	3 Racks
LRP2-80	9 Racks	8 Racks	4 Racks
LRP2-90	10 Racks	10 Racks	5 Racks
LRP2-100	11 Racks	10 Racks	5 Racks
LRP2-110	12 racks	13 Racks	5 Racks
LRP2-120	14 Racks	13 Racks	7 Racks

Short Bid Specification:

Proofer Retarder shall be an **LBC Bakery Equipment Model LRP2-** [insert 30,40,50,60,70,80, 90,100, 110, 120] 5 to 13.2 kW electrically heated, double door roll-in rack unit with: quick responding heated air-wash heat / humidity system; modular foam insulated cam lock panel construction; all 300 series stainless steel interior, with protective cart bumpers; heavy-duty door with magnetic seal/mechanical closure system and full width protective bar handle; simple computerized controls, door mounted at eye-level, with accurate digital temperature, humidity and time readouts; plus all the features listed and options checked.

STANDARD PRODUCT WARRANTY

One-Year Parts and Labor (contiguous US Including Alaska and Hawaii, Canada)

Construction Features

- Heavy duty stainless steel exterior with 300 Series stainless steel interior and aluminized steel top
- Walls Ceilings and doors are foam insulated
- Modular wall and ceiling panels with cam lock construction
- Rapid responding air-wash heat and humidity system
- 208 or 240 VAC single or 3-phase power, field convertible

Performance Features

- Dual purpose, provides both proofing and retarding
- 70 - 120 Degree F proofing range
- 34 - 45 Degree F retarding Range
- 50 - 99% humidity range
- Non-submerged calrod type heaters
- Interior bumpers protect interior walls from damage
- Lighted interior

Controls Features

- All digital controls mounted in the door at eye-level
- PID Type controls for rapid accurate response without overshoot
- Digital set Temperature, Humidity, Time
- Installed in the left hand door at eye-level
- Large LED displays
- 5 Timers for multiple products



Sheet Number LRP2 v 1 (rev 1/13)

Roll-In Proofer

MODEL: LRP2 Series

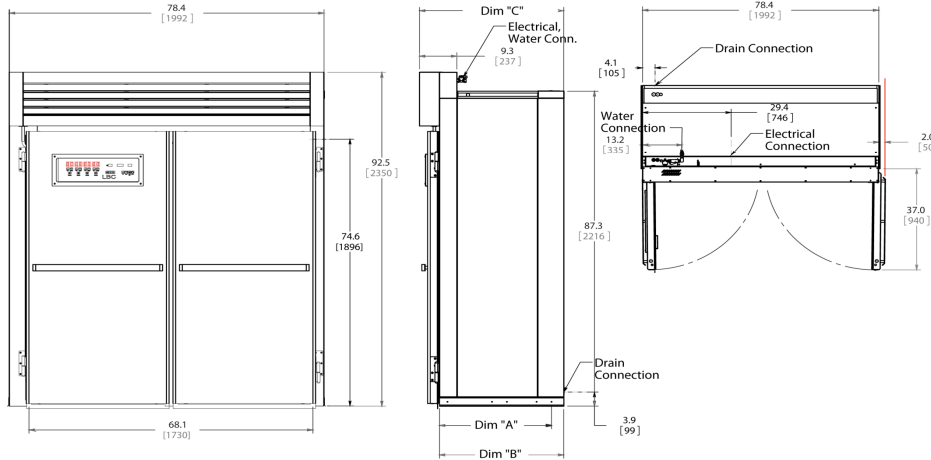
INSTALLATION REQUIREMENT

Ships KD requires on-site installation
208 or 240 VAC 1 or 3-phase

1/2" NPT Cold water connection
3/4" Copper vented drain connection

OPTIONS & ACCESSORIES

Stainless Steel Floors Correctional Pack



Model	Depth			Width	Weight		Freight Class
	Internal "A"	Ext. "B"	Over All "C"		Actual	Ship	
LRP2-30	26.1	31.1	39.3	78.8	1100	1200	85
LRP2-40	36.1	41.1	49.3		1157	1282	
LRP2-50	46.1	51.1	59.3		1329	1454	
LRP2-60	56.1	61.1	69.3		1411	1536	
LRP2-70	66.1	71.1	79.3		1493	1618	
LRP2-80	76.1	81.1	89.3		1665	1790	
LRP2-90	86.1	91.1	99.3		1924	2049	
LRP2-100	96.1	101.1	109.3		2006	2131	
LRP2-110	106.1	111.1	119.3		2178	2303	
LRP2-120	116.1	121.1	129.3		2260	2385	

Total Electrical Requirements By Model

Model	Voltage	Total kW	*MCA		*Max Fuse		Water	Drain
			1-Ph	3-Ph	1-Ph	3-Ph		
LRP2- (40-80)	208 VAC	5	30	18	50	50	1/2" NPT .07 GPM @ 60 PSI	1/2"PVC; 210 F; <1 GPM Max.
	240 VAC	6.6	34	20	50	50		
LRP2- (90-120)	208 VAC	10.2	NA	35	NA	60	1/2" NPT .14 GPM @ 60 PSI	1/2"PVC; 210 F; <1 GPM Max.
	240 VAC	13.2	NA	39	NA	60		

This Appliance is designed to operate at normal room temperatures; Clearance from combustibles is 0.0" sides and back, For Install on non-porous surfaces only

***MCA: Minimum Circuit Ampacity. *Max Fuse: Maximum allowable circuit protector.**

IMPORTANT: Your local water conditions may damage your LBC appliance. Failure to properly treat water may result in damage and may void your warranty. Ensure that your water supply meets these minimum water quality specification.

Parameter	Unit	Value
Alkalinity	ppm	22
Aluminium	ppb	17
Calcium	ppm	3.3
Free Chlorine Residual	ppm	0.6

Parameter	Unit	Value
Magnesium	ppm	0.65
pH	s.u.	8.5
Sodium	ppm	8.5
Total Hardness	ppm	11.9