

Top features

- High output: cooks in 60 minutes
- Saves up to 25% on energy use
- Cook correction technology and eco-cooking save an additional 5% on energy use

Standard characteristics

- 5 Meat fork, V-spit, basket or rack positions
- Rotor for up to 20 chicken (1,2 kg) per batch
- Cook time of 60 minutes*
- Max output in 6 hours: $360/60 \times 20 = 120^{**}$
- Controls with programmable settings
- 99 programs with up to 3 cook stages per program
- USB connection for easy transfer of data and programs
- Boost functionality to add extra time
- Outstanding food quality: high-speed convection for even cooking
- Outstanding food quality: radiant heat for uniform browning
- Striking cooking theatre due to large glass surface and brilliant lighting
- Safety stop when opening the door
- Cool double glass doors, safe to touch
- No water and drain connections needed

* Based on 1,0 kg. Cook times may vary according to size, marinade, stuffing etc.

** Indication; does not include loading / unloading

Accessories

- Meat forks (included), multi-purpose baskets, V-spits and chicken racks
- Matching stand on castors

Optional

- Fri-Jado XP450 non-stick coating on drip plates and accessories
- Double stacked unit
- Pass through (upon request)



Programmable controls



Eco-cooking



Infrared halogen lighting



Large product view

Rotisseries Electric



TDR 5 Programmable^{eco}

The Turbo Deli Rotisserie is the fastest original rotisserie in the industry. The TDR's cavity is fed with air, cooking a rotisserie chicken as it is meant to be: crispy and delicious while maintaining an attractive appearance for hours.

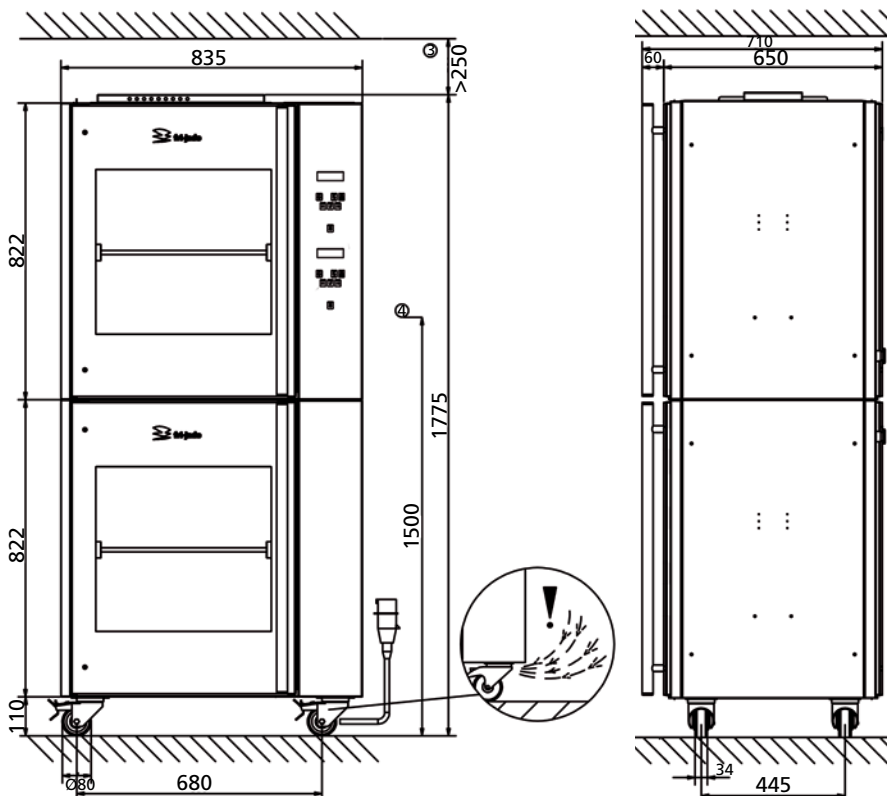
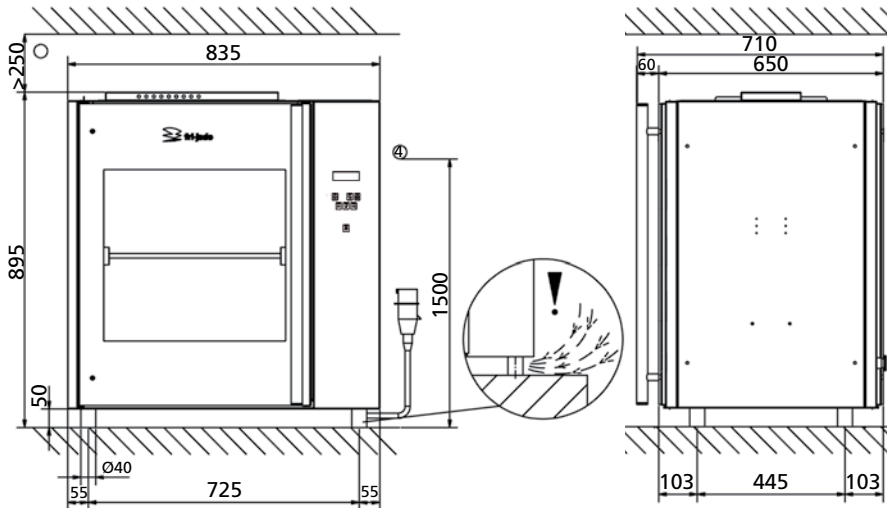
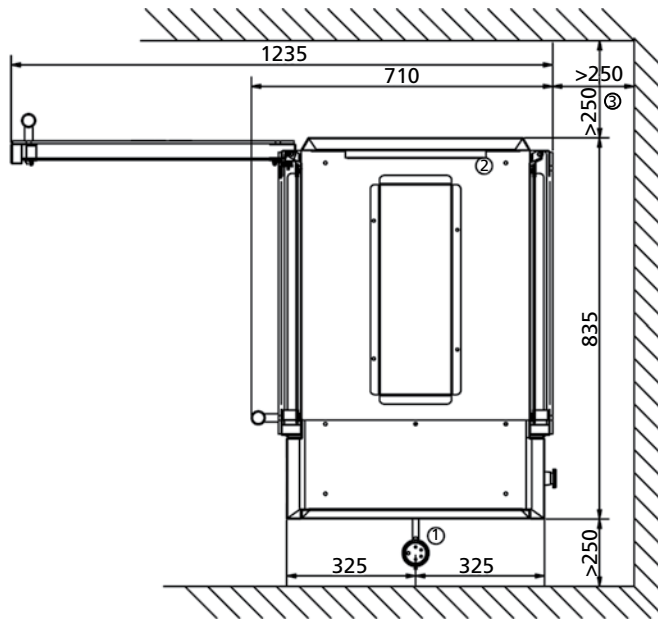
The TDR pushes the air throughout the cavity, resulting in an improved heat transfer on the products and consequently in a reduced electricity consumption during the preparation process.

Thanks to eco-cooking and the cook correction technology the TDR saves an additional 5% on energy use during the cooking cycle. Add to this the improved heat transfer on the products and a fast preparation process and you have yourself the most energy-efficient rotisserie with a high output.



Fast and energy saving





TDR 5

Programmable^{eco}

Item	Description
1	Power cable 2.2 m
2	Exhaust opening
3	Space to the wall
4	Location for socket

Dimensions TDR 5

Width	835 mm
Depth	710 mm
Height	895 mm
Height incl. stand	1755 mm

Dimensions TDR 5+5

Width	835 mm
Depth	710 mm
Height	1775 mm

Technical data TDR 5

Net weight	130 kg
Gross weight	152 kg
Voltage	400/230 V 3N~
Frequency	50...60 Hz
Power	6.6 kW

Technical data TDR 5+5

Net weight	266 kg
Gross weight	306 kg
Voltage	400/230 V 3N~
Frequency	50...60 Hz
Power	13.2 kW

These are basic drawings. For more detailed technical information, please refer to the installation manual at www.frijado.com.

Fri-Jado B.V.
P.O. Box 560
4870 AN Etten-Leur
The Netherlands
Phone +31 76 50 85 400
Fax +31 76 50 85 444
e-mail info@frijado.com
www.frijado.com

Top features

- High output: cooks in 60 minutes
- Saves up to 25% on energy use
- Cook correction technology and eco-cooking save an additional 5% on energy use

Standard characteristics

- 8 Meat fork or V-spit positions, 7 basket or rack positions
- Rotor for up to 40 chicken (1,2 kg) per batch
- Cook time of 60 minutes*
- Max output in 6 hours: $360/60 \times 40 = 240^{**}$
- Controls with programmable settings
- 99 programs with up to 3 cook stages per program
- USB connection for easy transferring data and programs
- Boost functionality to add extra time
- Outstanding food quality: high speed convection for even cooking
- Outstanding food quality: radiant heat for uniform browning
- Striking cooking theatre due to large glass surface and brilliant lighting
- Safety stop when opening the door
- Cool double glass doors, safe to touch
- No water and drain connections needed

* Based on 1.0 kg. Cook times may vary according to size, marinade, stuffing etc.

** Indication; does not include loading / unloading

Accessories

- Meat forks (included), multi-purpose baskets, V-spits and chicken racks
- Matching stand on castors

Optional

- Fri-Jado XP450 non-stick coating on drip plates and accessories
- Double stacked unit
- Pass through (upon request)



Programmable controls



Eco-cooking



Infrared halogen lighting



Large product view

Rotisseries Electric



TDR 8 Programmable^{eco}

The Turbo Deli Rotisserie is the fastest original rotisserie in the industry. The TDR's cavity is fed with air, cooking a rotisserie chicken as it is meant to be: crispy and delicious while maintaining an attractive appearance for hours.

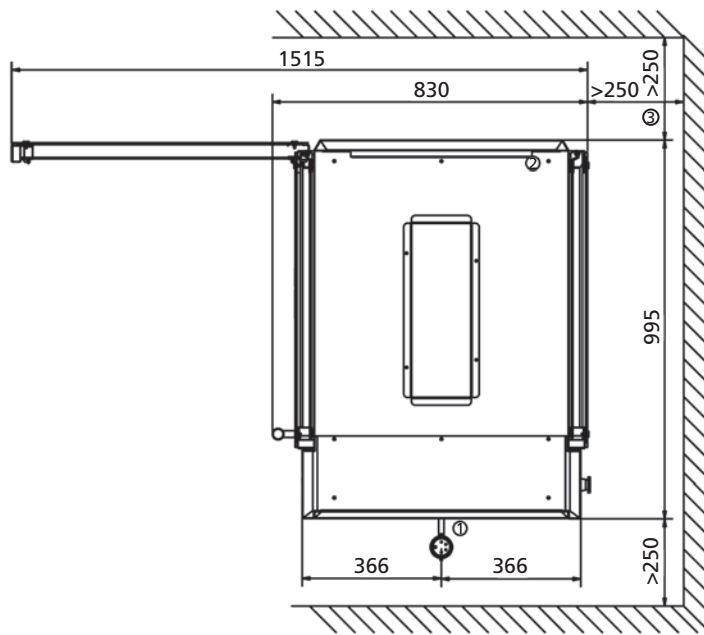
The TDR pushes the air throughout the cavity, resulting in an improved heat transfer on the products and consequently in a reduced electricity consumption during the preparation process.

Thanks to eco-cooking and the cook correction technology the TDR saves an additional 5% on energy use during the cooking cycle. Add to this the improved heat transfer on the products and a fast preparation process and you have yourself the most energy-efficient rotisserie with a high output.



Fast and energy saving





TDR 8

Programmable^{eco}

Item	Description
1	Power cable 2.2 m
2	Exhaust opening
3	Space to the wall
4	Location for socket

Dimensions TDR 8

Width	995 mm
Depth	830 mm
Height	1050 mm
Height incl. stand	1825 mm

Dimensions TDR 8+8

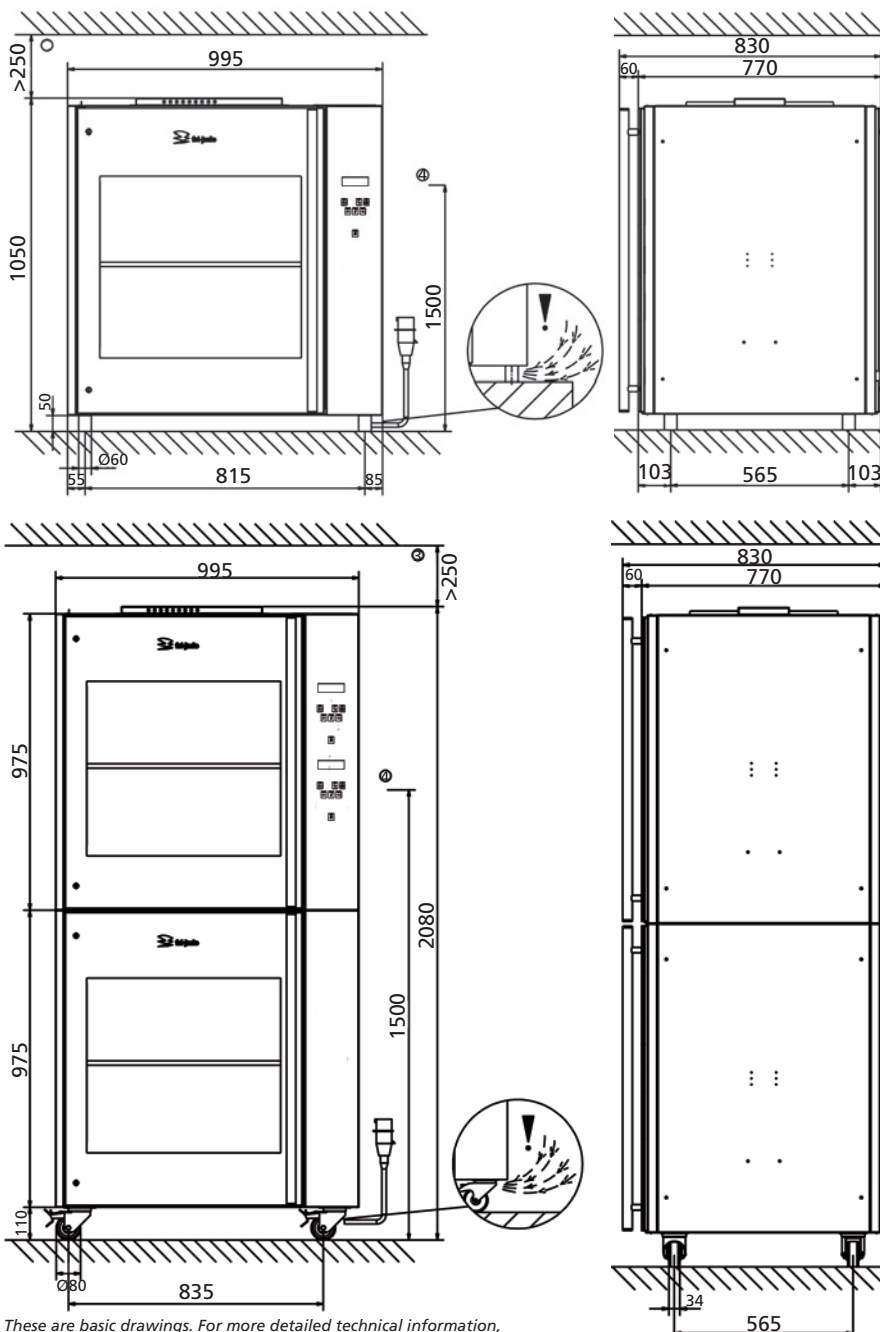
Width	995 mm
Depth	830 mm
Height	2080 mm

Technical data TDR 8

Net weight	185 kg
Gross weight	216 kg
Voltage	400/230 V 3N~
Frequency	50...60 Hz
Power	10.5 kW
Capacity	40 kg

Technical data TDR 8+8

Net weight	375 kg
Gross weight	435 kg
Voltage	400/230 V 3N~
Frequency	50...60 Hz
Power	21 kW
Capacity	80 kg



These are basic drawings. For more detailed technical information, please refer to the installation manual at www.frijado.com.

Fri-Jado B.V.
P.O. Box 560
4870 AN Etten-Leur
The Netherlands
Phone +31 76 50 85 400
Fax +31 76 50 85 444
e-mail info@frijado.com
www.frijado.com