



Fresh ideas in foodservice equipment



Rotisserie

Model: DR-34, DR-34/2

Double Revolving Electric Rotisserie Oven with Touchpad Controller

Maximize limited space in your delis, convenience stores and quick-serve restaurants with BKI's stackable or single double revolving ovens. The entire cooking mechanism revolves and so does each individual skewer for even cooking and "show and sell" excitement. Built-in automatic 'hot-hold' feature enhances product merchandising and profitability, and a self-basting process ensures tender, juicy products.

Agency Approvals:



Standard Features:

- Double-revolving design (mechanism and individual skewer)
- Removable drive system, grease drawer and pans
- Control panel with manual switches and programmable single stage cook computer
- Tubular heating elements
- Lamps for product illumination
- Fan for cooling electrical components
- Customer and operator side doors
- Instructional labels for operation and maintenance
- Worldwide voltages
- European styling
- Built-in automatic "hot-hold"
- Self-basting process

BKI North America
 PO Box 80400
 Simpsonville, SC 29680-0400 USA
 Telephone: (864) 963-3471
 Toll Free: (800) 927-6887

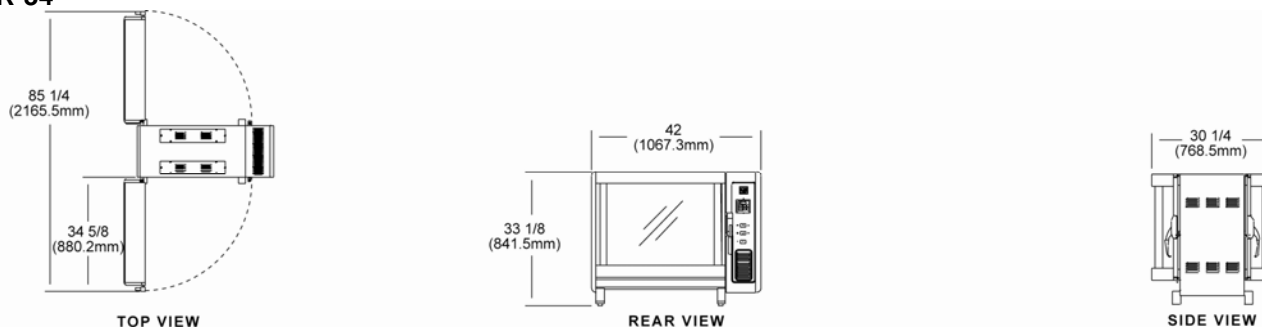
BKI Europe
 Theale Technology Centre
 Station Road • Theale
 Reading • West Berkshire • RG7 4AA
 Telephone: 0870 9904242 • Fax: 0870 9904243



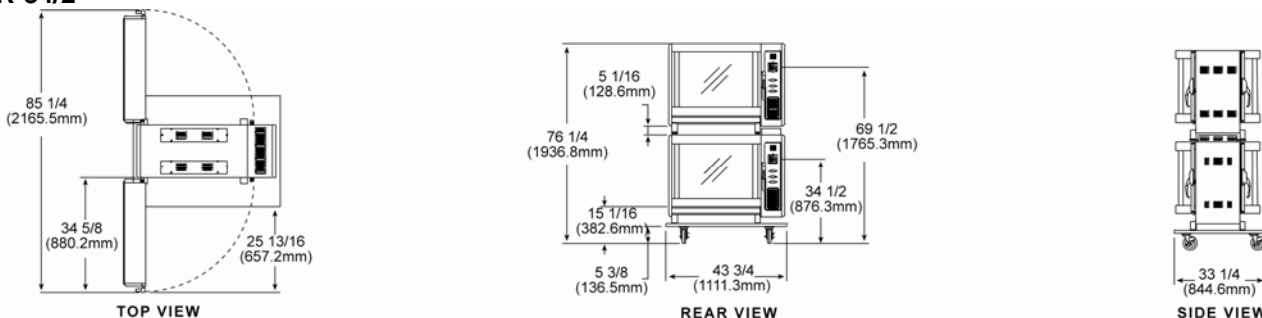
Rotisserie (DR-34, DR-34/2)

Equipment Dimensions:

DR-34



DR-34/2



Mechanical Specifications:

Dimension	DR-34		DR-34/2	
	Uncrated	Crated	Uncrated	Crated
Height	33 1/8" (841.5 mm)	40" (1017.8 mm)	76 1/4" (1936.8 mm)	82.5" (2099.2 mm)
Width	42" (1067.3 mm)	45" (1145 mm)	43 3/4" (111.3 mm)	45" (1145 mm)
Depth	30 1/4" (768.5 mm)	34" (865.1 mm)	33 1/4" (844.6 mm)	37" (941.5 mm)
Floor Space	8.8 sq.ft (.82 sq. m)	10.6 sq.ft (.99 sq. m)	10.1 sq.ft (.94 sq. m)	11.6 sq.ft (1.07 sq. m)
Weight	390 lb. (176.9 kg)	410 lb. (185.9 kg)	816 lb. (370.1 kg)	830 lb. (376.5 kg)

Electrical Options:

Volts	Amps	Breaker	KW	Wires	Phase
208	17.43	25	6.18	3	3
208	29.7	40	6.18	2	1
220	18.41	25	6.91	3	3
220	31.4	40	6.91	2	1
240	15.21	20	6.21	3	3
240	25.9	35	6.21	2	1
220/380	12	15	6.9	4	3
220/380	25.9	35	6.2	2	1
240/415	10	15	6.2	4	3
240/415	25.9	35	6.2	2	1

Accessories

• G0052 - Insulated Mitt 13"
• MB0015 -Large Clamshell Meat Basket
• MB0011 -Small Clamshell Meat Basket
• SB9536 - Meat Fork Assembly
• SB9537 - Meat Fork Assembly, Turkey
• MF0021 - "V" Spit 26.563"

Options

Purchase price includes one set of either "V" spits, meat forks or meat baskets.

BKI North America

PO Box 80400
Simpsonville, SC 29680-0400 USA
Telephone: (864) 963-3471
Toll Free: (800) 927-6887

BKI Europe

Theale Technology Centre
Station Road • Theale
Reading • West Berkshire • RG7 4AA
Telephone: 0870 9904242 • Fax: 0870 9904243

