

Project: \_\_\_\_\_ Location: \_\_\_\_\_ Item #: \_\_\_\_\_ Quantity: \_\_\_\_\_

### Standard Features

- Natural Gas or Propane
- Double wall kettle interior.
- Bottom kettle is hemispherical designed for superior heat circulation.
- Supported by a 1 5/8" diameter stainless steel pipe legs.
- Adjustable four hole feet for securing to the floor.
- Ability to manual tilt a full 90° for complete emptying.
- Power Switch, thermostat, pilot switch, low water light, vacuum/pressure gauge, safety relief valve and low water shut off.
- Fully Insulated.

### Optional Features

- Type 316 stainless steel liner for high acid cooking (ACGLT-60 only).
- 2" (50 mm) draw-off valve (ACTVT-2).
- 3" (76 mm) draw-off valve (ACTVT-3).
- 3" (76 mm) dairy valve (ACDDO-3T).
- Spring assist hinged stainless steel cover (ACCH-)
- Etched gallon markings (ACGM-)
- Etched litre markings (ACLM-).
- Correctional package

### Electrical Options

- 115 VAC, 1 Phase, 50/60 Hz.
- 208-240 VAC, 1 Phase, 50/60 Hz.

### Short Spec

Kettle shall be AccuTemp's ACGLT series self-generating, gas tilting kettle. A double wall kettle interior shall form a steam jacket around the lower 2/3 of the kettle. The jacket enclosure shall contain purified water which is factory sealed. The bottom of the kettle shall be of hemispherical design for superior heat circulation. The console shall be stainless steel clad and shall be supported on a heavy duty frame and the legs fitted with 4 hole adjustable feet for securing to the floor.

The kettle shall pivot on trunnion connected to the tilt mechanism and will permit the kettle to tilt forward a full 90° for complete emptying. The tilt mechanism is self locking for positive stop action. Construction shall be all welded #4 finish stainless steel. The kettle interior on models 20 through 40 gallon shall be standard stainless steel type 316 for high acid content cooking, the 60 gallon units shall be type 304 stainless steel. The controls are integrally mounted and shall include a power switch, thermostat, pilot light, low water light, vacuum/pressure gauge, safety relief valve, and low water shut off. The kettle shall operate in a temperature range of 165°F to 285°F (74°C to 140°C) at a maximum pressure of 50 psi (345 kPa).

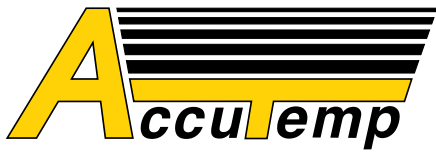
### Other Approvals



**ACGLT-XX Model**  
with Optional Spring Assist  
Cover and faucet

### Accessories

- Triple basket assembly (ACTBA-).
- Perforated strainer for draw off (ACTPS-).
- Solid disc for draw off (ACTSS-).
- Contour measuring strip (ACCMS-).
- Strainer hook (ACSH-)
- Single pantry faucet with swing spout (ACSF-18).
- Double pantry faucet with swing spout (ACDF-18).
- Pan support (ACPC-1).
- Pour lip strainer (ACTKS-).
- Draw-off valve hose kit (ACDVHK-2).
- Calibrated thermostat dial, "F"
- Calibrated thermostat dial, "C"



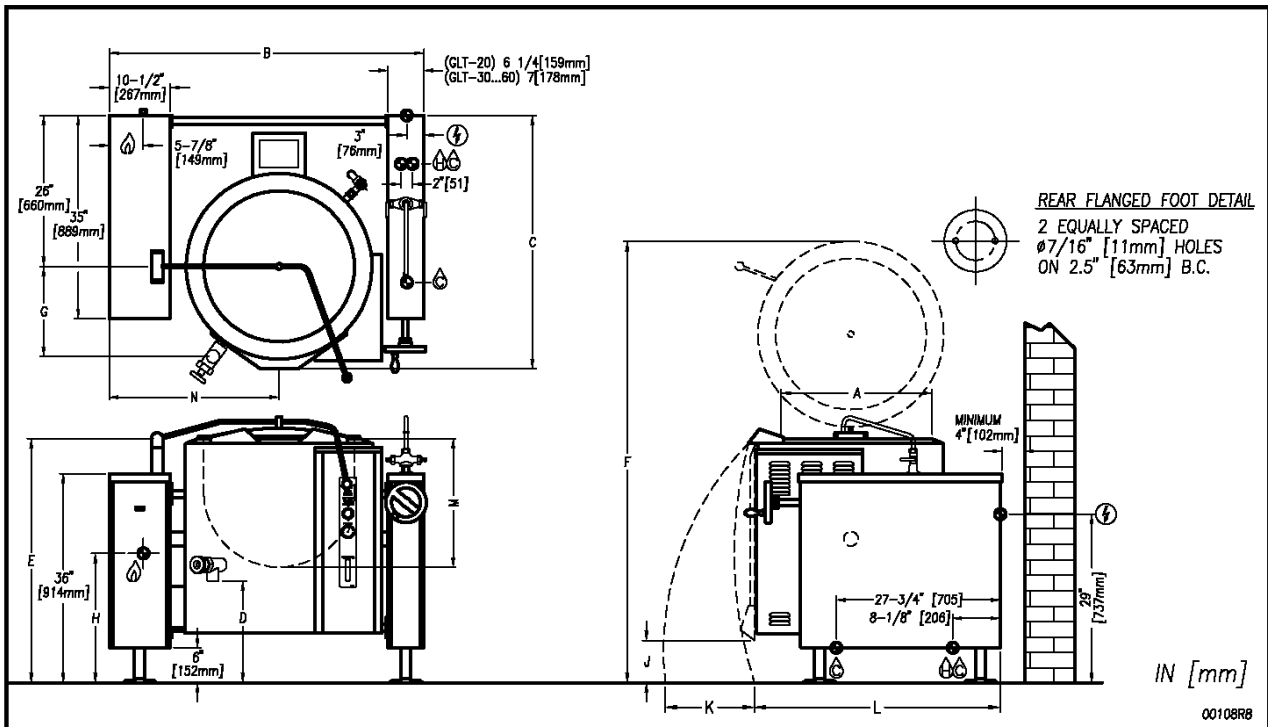
**GAS TILTING KETTLE**  
 20-100 GALLON CAPACITY—GAS FIRED,  
 MANUAL TILT, ELECTRONIC IGNITION

Gas Kettle Model "ACGLT" Specifications					
GAS SUPPLY					
Model #	BTU/HR.	KW/HR	SUPPLY PIPE PRESSURE (W.C.)		MIN CLEARANCE*
ACGLT-20	80,000	23.4	Natural 6"-14" (152-356mm)	Propane 11"-14" (279-356mm)	SIDES 0
ACGLT-30/40	100,000	29.3			BACK 4 [102]
ACGLT-60	120,000	35.2			

Dimensions																	
MODEL	SHIPPING WEIGHT	CAPACITY	UNITS	A	B	C	D	E	F	G	H	J	K	L	M	N	
ACGLT-20	700 [318 kgs]	20 gallons 76 litres	inches mm	20 508	48.13 1222	40.63 1032	19 483	40.13 1019	76.5 1943	16.5 419	24 610	11 279	22 559	40.5 1029	18.38 467	25.5 648	
ACGLT-30	900 lbs [408 kgs]	30 gallons 114 litres	inches mm	26 660	55.25 1403	43.63 1108	16.5 419	39 991	73.75 1873	15.5 394	22.25 565	7.5 191	21 538	38.13 968	17.88 454	28.5 724	
ACGLT-40	930 lbs [422 kgs]	40 gallons 152 litres	inches mm	26 660	55.25 1403	43.63 1108	16.5 419	43.25 1099	76 1930	15.5 394	22.25 565	7.5 191	23 584	42.5 1080	22.13 562	28.5 724	
ACGLT-60	1142 lbs [518 kgs]	60 gallons 227 litres	inches mm	30 762	59 1499	45.63 1159	17.88 454	43.88 1115	82 2083	19.5 495	22.25 565	5.5 140	23 584	45.5 1156	24.75 629	30.5 775	

**Notes:**

1. Supply gas through 3/4" pipe. A gas shut-off valve must be installed in supply piping convenient and adjacent to appliance.
2. Unless otherwise specified, Field Wire Electrical Connection to be 120V, 60Hz single phase with grounding wire. Unit supplied with 6' cord and 3-prong plug. Max AMPS: 4.0
3. Hot and Cold Water: 3/8" OD tubing to faucet (OPTIONAL).



MM6226-1105

Project: \_\_\_\_\_ Location: \_\_\_\_\_ Item #: \_\_\_\_\_ Quantity: \_\_\_\_\_

### Standard Features

- Natural Gas or Propane
- Double wall kettle interior.
- Bottom kettle is hemispherical designed for superior heat circulation.
- Supported by a 1 5/8" diameter stainless steel pipe legs.
- Adjustable four hole feet for securing to the floor.
- Power Switch, thermostat, pilot switch, low water light, vacuum/pressure gauge, safety relief valve and low water shut off.
- Removable Elements.
- 2" Tangent draw off valve.
- Spring Assist Cover.

### Optional Features

- Type 316 stainless steel liner for high acid cooking.
- 3" (76 mm) draw-off valve (ACTVT-3).
- 3" (76 mm) dairy valve (ACDDO-3T).
- Etched gallon markings (ACGM-)
- Etched litre markings (ACLM-).
- Correctional package

### Electrical Options

- 115 VAC, 1 Phase, 50/60 Hz.
- 208-240 VAC, 1 Phase, 50/60 Hz.

### Short Spec

Kettle shall be AccuTemp's ACGL series self-containing, gas stationary kettle. A double wall kettle interior shall form a steam jacket around the lower 2/3 of the kettle. The jacket enclosure shall contain purified water which is factory sealed. The bottom of the kettle shall be of hemispherical design for superior heat circulation.

Construction shall be all welded #4 finish stainless steel, the 60 gallon units shall be type 304 stainless steel. The kettle interior on models 20 through 40 gallon shall be standard stainless steel type 316 for high acid content cooking. The controls are integrally mounted and shall include a power switch, thermostat, pilot light, low water light, vacuum/pressure gauge, safety relief valve, and low water shut off. The kettle shall operate in a temperature range of 165°F to 285°F (74°C to 140°C) at a maximum pressure of 50 psi (345 kPa).

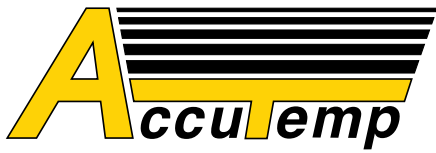
### Other Approvals



ACGL-XX Model

### Accessories

- Triple basket assembly (ACTBA-).
- Perforated strainer for draw off (ACTPS-).
- Solid disc for draw off (ACTSS-).
- Contour measuring strip (ACCMS-).
- Strainer hook (ACSH-)
- Single pantry faucet with swing spout (ACSF-18).
- Double pantry faucet with swing spout (ACDF-18).
- Draw-off valve hose kit (ACDVHK-2).
- Calibrated thermostat dial, "F"
- Calibrated thermostat dial, "C"
- Faucet Bracket.
- Casters.

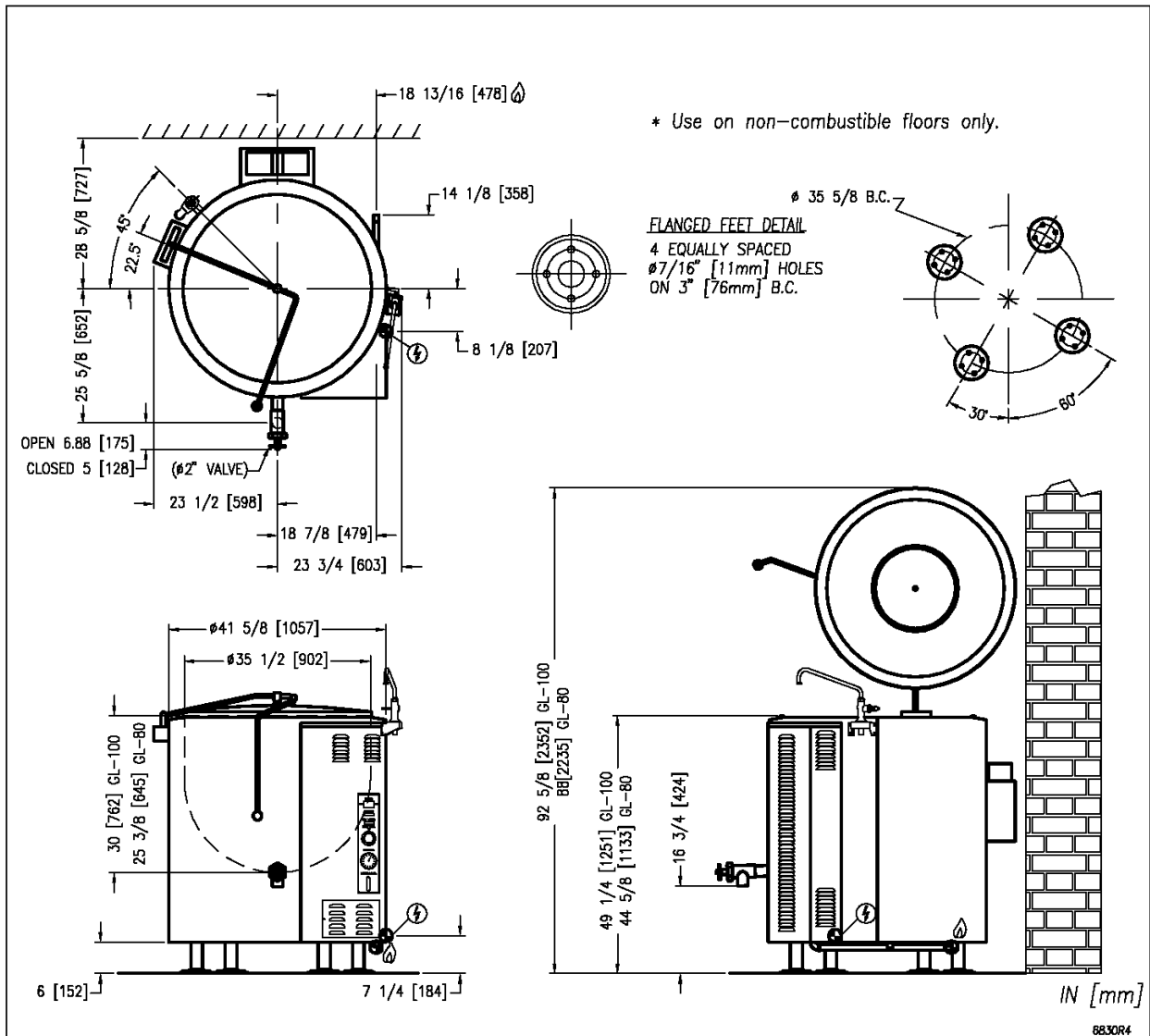


**GAS STATIONARY STEAM KETTLE**  
 80 OR 100 GALLON CAPACITY—GAS FIRED,  
 ELECTRONIC IGNITION

Gas Kettle Model "ACGL" Specifications						
GAS SUPPLY						
Model #	SHIPPING WEIGHT	BTU/HR.	KW/HR	SUPPLY PIPE PRESSURE (W.C.)		MIN CLEARANCE*
ACGL-80	950 lbs [430 kgs]	150,000	44.0	Natural	Propane	SIDES 6 [152]
ACGL-100	1100 lbs [498 kgs]			6"-14" (152-356mm)	11"-14" (279-356mm)	BACK 2 [51]

Notes:

1. Supply gas through 3/4" pipe. A gas shut-off valve must be installed in supply piping convenient and adjacent to appliance.
2. Unless otherwise specified, Field Wire Electrical Connection to be 120V, 60Hz single phase with grounding wire. Unit supplied with 6' cord and 3-prong plug. Max AMPS: 2.0



Project: \_\_\_\_\_ Location: \_\_\_\_\_ Item #: \_\_\_\_\_ Quantity: \_\_\_\_\_

## Standard Features

- Natural Gas or Propane
- Double wall kettle interior.
- Bottom kettle is hemispherical designed for superior heat circulation.
- Adjustable four hole feet for securing to the floor.
- Ability to manual tilt a full 90° for complete emptying.
- Power Switch, thermostat, pilot switch, low water light, vacuum/pressure gauge, safety relief valve and low water shut off.
- Fully Insulated
- "Clean Lock" to hold kettle in cooking position or 105° for ease of cleaning.

## Optional Features

- Etched gallon markings (ACGM-)
- Etched litre markings (ACLM-).
- Correctional package.
- Lift off Cover (ACC-12G).

## Electrical Options

- 115 VAC, 1 Phase, 50/60 Hz.
- 208-240 VAC, 1 Phase, 50/60 Hz.

## Short Spec

Kettle shall be AccuTemp's Model ACGC-12, gas fired, self-contained steam jacketed kettle. A double wall kettle interior shall form a steam jacket around the lower 2/3 of the kettle. The jacket enclosure shall contain factory sealed distilled water. Kettle exterior is fully insulated. The bottom of the kettle shall be of hemispherical design for superior heat circulation. The mounting base shall include four stainless steel tubular legs fitted with a four hole adjustable foot for securing the unit to the floor and a stainless steel mechanism housing. A removable operating handle with high heat proof knob shall be mounted on the right. Construction shall be stainless steel type 304 with #4 satin exterior finish. The interior kettle liner shall be a one piece welded construction made with type 316 stainless steel for added resistance to corrosion.

The controls shall be integrally mounted to the kettle and shall include solid state thermostat, power switch temperature light, ignition light, low water indicator light, water sight glass, pressure gauge and electronic ignition. Safety features, low water shut off, burners turn off automatically when kettle is tilted, pressure switch and pressure relief valve. The kettle shall operate in a temperature range of 150 degrees Fahrenheit (66 degrees Celsius) to 285 degrees Fahrenheit (140 degrees Celsius) at a maximum pressure of 50 PSI (345 kPa).

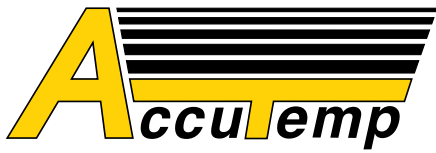
## Other Approvals



ACGC-12 Model

## Accessories

- Single pantry faucet with swing spout (ACSF-18).
- Double pantry faucet with swing spout (ACDF-18).
- Pour lip strainer (ACTKS-).
- Optional floor stand Factory Installed (AC7700-1).
- Stainless Steel Baskets (ACSSB-12).



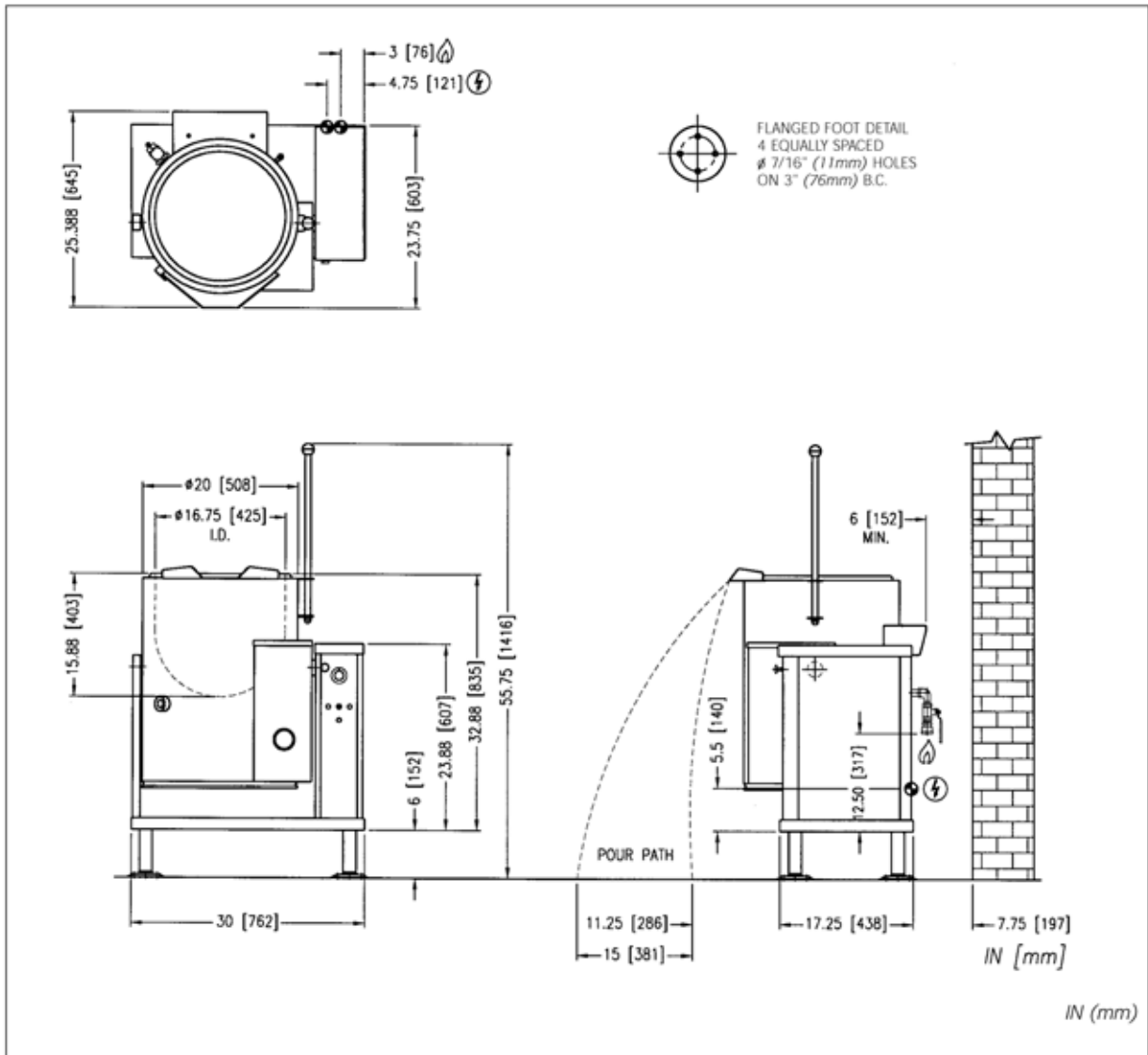
# GAS STEAM JACKETED KETTLE TILTING

12 GALLON CAPACITY—GAS FIRED,  
MANUAL TILT, ELECTRONIC IGNITION

Gas Kettle Model "ACGC-12" Specifications						
GAS SUPPLY						
Model #	SHIPPING WEIGHT	BTU/HR.	KW/HR	SUPPLY PIPE PRESSURE (W.C.)		MIN CLEARANCE*
ACGC-12	345 lbs [157 kgs]	43,000	12.6	Natural 6"-14" (152-356mm)	Propane 11"-14" (279-356mm)	SIDES 3 [76]

**Notes:**

1. Supply gas through 3/4" pipe. A gas shut-off valve must be installed in supply piping convenient and adjacent to appliance.
2. Unless otherwise specified, Field Wire Electrical Connection to be 120V, 60Hz single phase with grounding wire. Unit supplied with 6' cord and 3-prong plug. Max AMPS: 2.0
3. Hot and Cold Water: 3/8" OD tubing to faucet (OPTIONAL).



Project: \_\_\_\_\_ Location: \_\_\_\_\_ Item #: \_\_\_\_\_ Quantity: \_\_\_\_\_

### Standard Features

- Natural Gas or Propane
- Double wall kettle interior.
- Bottom kettle is hemispherical designed for superior heat circulation.
- Supported by a 1 5/8" diameter stainless steel pipe legs.
- Adjustable four hole feet for securing to the floor.
- Power Switch, thermostat, pilot switch, low water light, vacuum/pressure gauge, safety relief valve and low water shut off.
- 2" Tangent draw off valve.

### Optional Features

- Type 316 stainless steel liner for high acid cooking (ACGL-60E).
- 3" (76 mm) draw-off valve (ACTVT-3).
- 3" (76 mm) dairy valve (ACDDO-3T).
- Spring assist hinged stainless steel cover (ACSA-) (ACGL-20E, 30E & 40E).
- Etched gallon markings (ACGM-)
- Etched litre markings (ACLM-).
- Correctional package

### Electrical Options

- 115 VAC, 1 Phase, 50/60 Hz.
- 220 VAC, 1 Phase, 50/60 Hz.

### Short Spec

Kettle shall be AccuTemp's ACGL-xxE series self-containing, gas stationary kettle. A double wall kettle interior shall form a steam jacket around the lower 2/3 of the kettle. The jacket enclosure shall contain purified water which is factory sealed. The bottom of the kettle shall be of hemispherical design for superior heat circulation.

Construction shall be all welded #4 finish stainless steel, the 60 gallon units shall be type 304 stainless steel. The kettle interior on models 20 through 40 gallon shall be standard stainless steel type 316 for high acid content cooking. The controls are integrally mounted and shall include a power switch, thermostat, pilot light, low water light, vacuum/pressure gauge, safety relief valve, and low water shut off. The kettle shall operate in a temperature range of 165°F to 285°F (74°C to 140°C) at a maximum pressure of 50 psi (345 kPa).

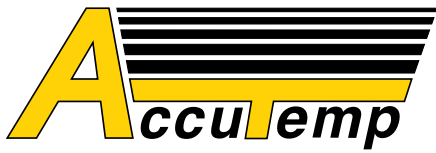
### Other Approvals



ACGL-xxE Model

### Accessories

- Triple basket assembly (ACTBA-).
- Perforated strainer for draw off (ACTPS-).
- Solid disc for draw off (ACTSS-).
- Contour measuring strip (ACCMS-).
- Strainer hook (ACSH-)
- Single pantry faucet with swing spout (ACSF-12).
- Double pantry faucet with swing spout (ACDF-12).
- Draw-off valve hose kit (ACDVHK-2).
- Calibrated thermostat dial, "F"
- Calibrated thermostat dial, "C"
- Faucet Bracket.
- Castors.



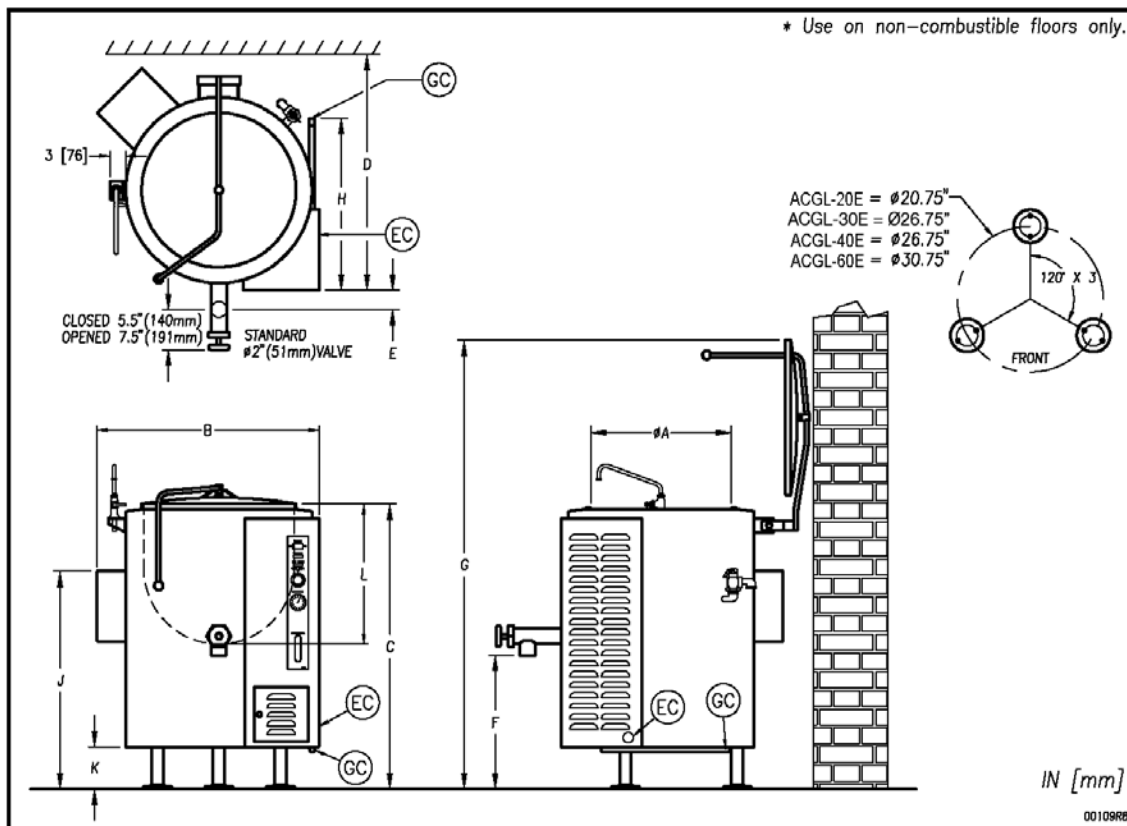
**GAS STATIONARY STEAM KETTLE**  
 20, 30, 40 OR 60 GALLON CAPACITY—GAS FIRED,  
 ELECTRONIC IGNITION

Gas Kettle Model "ACGL-xxE" Specifications					
Model #	BTU/HR.	KW/HR	SUPPLY PIPE PRESSURE (W.C.)		MIN CLEARANCE*
ACGL-20E/30E/40E	100,000	29.3	Natural 6"-14" (152-356mm)	Propane 11"-14" (279-356mm)	SIDES 6 [152]
ACGL-60E	130,000	38.1			BACK 2 [51]

Dimensions														
MODEL	SHIPPING WEIGHT	CAPACITY	UNITS	A	B	C	D	E	F	G	H	J	K	L
ACGL-20E	440 [200 kgs]	20 gallons 76 litres	inches mm	20 508	31.25 794	40 1016	32 813	3 76	19 483	64 1626	24 610	30.5 775	6.0 152	18.25 464
ACGL-30E	575 lbs (261 kgs)	30 gallons 114 litres	inches mm	26 660	35.5 905	39.75 1010	38.5 978	2 51	19 483	67.75 1721	29 737	35 889	6.0 152	17.75 451
ACGL-40E	600 lbs (272 kgs)	40 gallons 152 litres	inches mm	26 660	35.5 902	44 1118	38.5 978	2 51	19 483	72 1829	29 737	35 889	6.0 152	22 559
ACGL-60E	720 lbs (327 kgs)	60 gallons 227 litres	inches mm	30 762	40 1016	49.5 1257	42 1016	2.5 63	21.5 546	85 2159	35 889	39 991	8.0 203	24.62 625

**Notes:**

1. Supply gas through 3/4" pipe. A gas shut-off valve must be installed in supply piping convenient and adjacent to appliance.
2. Unless otherwise specified, Field Wire Electrical Connection to be 120V, 60Hz single phase with grounding wire. Unit supplied with 6' cord and 3-prong plug. Max AMPS: 4.0



MM6229-1105



Project: \_\_\_\_\_ Location: \_\_\_\_\_ Item #: \_\_\_\_\_ Quantity: \_\_\_\_\_

### Standard Features

- Natural Gas or Propane
- Double wall kettle interior.
- Bottom kettle is hemispherical designed for superior heat circulation.
- Supported by a 1 5/8" diameter stainless steel pipe legs.
- Adjustable four hole feet for securing to the floor.
- Power Switch, thermostat, pilot switch, low water light, vacuum/pressure gauge, safety relief valve and low water shut off.
- 2" Tangent draw off valve.
- Spring Assist Cover.

### Optional Features

- Type 316 stainless steel liner for high acid cooking (AC316L-60F).
- 3" (76 mm) draw-off valve (ACTVS-3).
- 3" (76 mm) dairy valve (ACDDO-3S).
- Etched gallon markings (ACGM-)
- Etched litre markings (ACLM-).
- Correctional package

### Electrical Options

- 115 VAC, 1 Phase, 50/60 Hz.
- 220 VAC, 1 Phase, 50/60 Hz.

### Short Spec

Kettle shall be AccuTemp's ACGL-40FE self-contained, gas stationary full jacketed kettle. A double wall kettle interior shall form a steam jacket around the lower 2/3 of the kettle. The jacket enclosure shall contain purified water which is factory sealed. The bottom of the kettle shall be of hemispherical design for superior heat circulation. The kettle comes standard with electronic ignition & spring assist cover.

The kettle shall pivot on trunnion connected to the tilt mechanism and will permit the kettle to tilt forward a full 90° for complete emptying. The tilt mechanism is self locking for positive stop action. Construction shall be all welded #4 finish stainless steel, the 60 gallon units shall be type 304 stainless steel. The kettle interior on models 20 through 40 gallon shall be standard stainless steel type 316 for high acid content cooking. The controls are integrally mounted and shall include a power switch, thermostat, pilot light, low water light, vacuum/pressure gauge, safety relief valve, and low water shut off. The kettle shall operate in a temperature range of 165°F to 285°F (74°C to 140°C) at a maximum pressure of 50 psi (345 kPa).

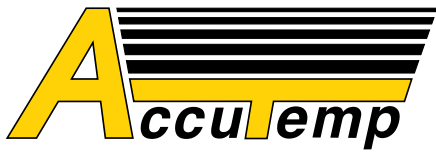
### Other Approvals



ACGL-40FE Model

### Accessories

- Triple basket assembly (ACTBA-).
- Perforated strainer for draw off (ACTPS-).
- Solid disc for draw off (ACTSS-).
- Contour measuring strip (ACCMS-).
- Strainer hook (ACSH-)
- Single pantry faucet with swing spout (ACSF-12).
- Double pantry faucet with swing spout (ACDF-12).
- Draw-off valve hose kit (ACDVHK-2).
- Single pantry kettle filler with bracket (ACSF-KF).
- Double pantry kettle filler with bracket (ACDF-KF).
- Casters (ACGKCK-1).



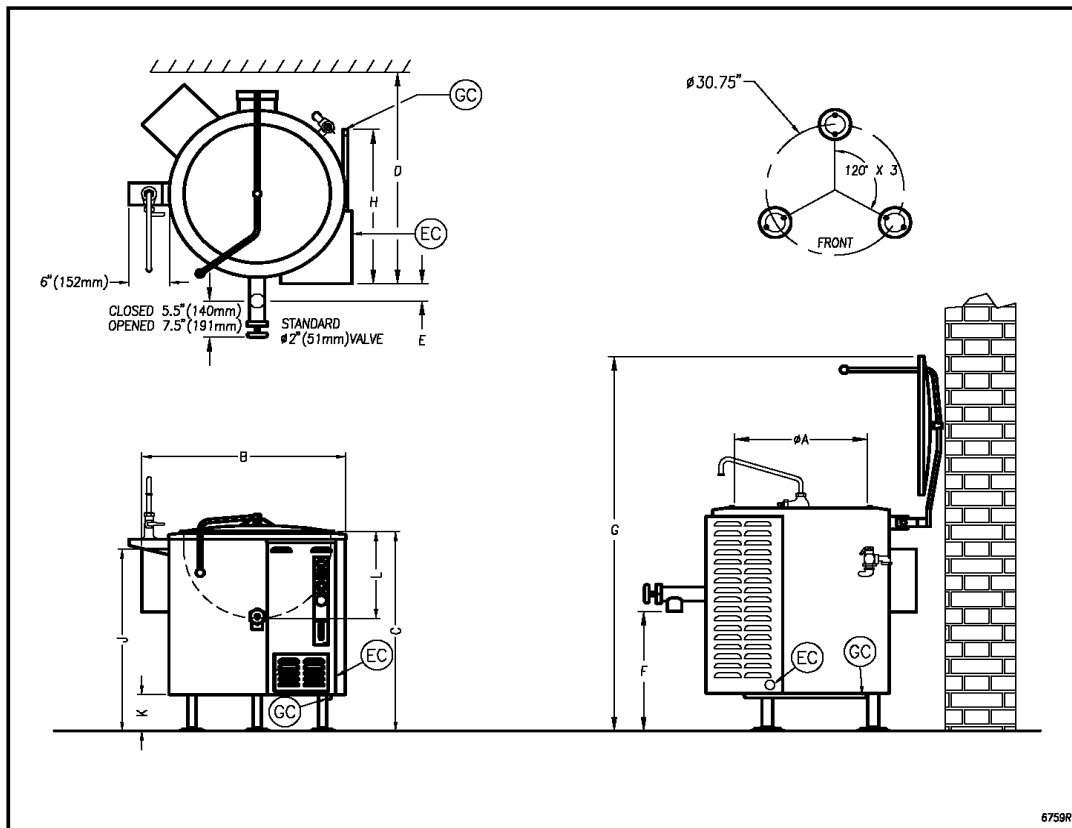
**GAS STATIONARY STEAM KETTLE, FULL JACKETED**  
 40 GALLON CAPACITY—GAS FIRED, ELECTRONIC IGNITION

Gas Kettle Model "ACGL-40FE" Specifications				
Model #	BTU/HR.	KW/HR	SUPPLY PIPE PRESSURE (W.C.)	
ACGL-40FE	130,000	38.1	Natural 6"-14" (152-356mm)	Propane 11"-14" (279-356mm)

Dimensions														
MODEL	SHIPPING WEIGHT	CAPACITY	UNITS	A	B	C	D	E	F	G	H	J	K	L
ACGL-40FE	700 lbs [318 kgs]	40 gallons 152 litres	inches mm	30 762	40 1016	43.5 1105	42 1016	2.5 63	21.5 546	79 2007	35 889	39 991	8.0 203	18.75 476

**Notes:**

1. Supply gas through 1" pipe. A gas shut-off valve must be installed in supply piping convenient and adjacent to appliance.
2. Unless otherwise specified, Field Wire Electrical Connection to be 120V, 60Hz single phase with grounding wire. Unit supplied with 6' cord and 3-prong plug. Max AMPS: 2.0



MM6230-1105