

### Top features

- Base for HD 3 self serve and TDR 5 rotisserie\*
- Preparation and presentation on one spot
- Saves valuable floor space

### Standard characteristics

- Solid steel base
- Black powder-coated
- Smart design
- Appetizing chicken theatre
- Second level display rack to stock larger quantities standard on HD 3

### Accessories

- Temperature indicator on customer side
- Chicken racks
- V-spits
- Multi-purpose baskets
- Meat probe
- Fri-Jado XP450 non-stick coating on drip plates and accessories

*\* see separate spec sheets for more information on the HD 3-SS and TDR 5 rotisseries*

## Cook and Hold



## Space Saver

*The Fri-Jado Space Saver is a prime example of effective use of floor space. By combining an TDR 5 rotisserie and a HD 3 self-serve deli merchandiser in one stand, you can save valuable floor space.*

*The TDR 5 rotisserie's appetizing chicken theatre will whet the appetite of any customer. The fact that customers can take the products from the HD 3 self-serve themselves will lower buyer thresholds even more. Double output on a single spot. Success guaranteed!*



HD 3 self-serve



Second level display rack



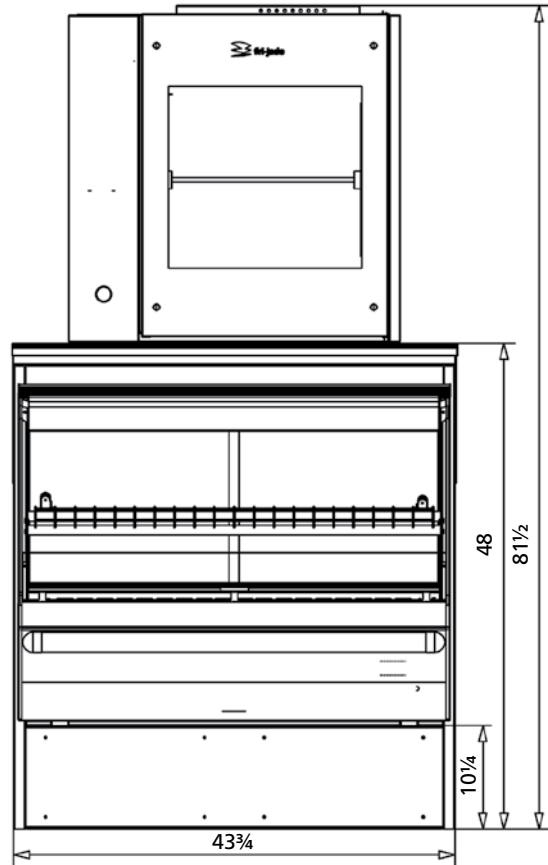
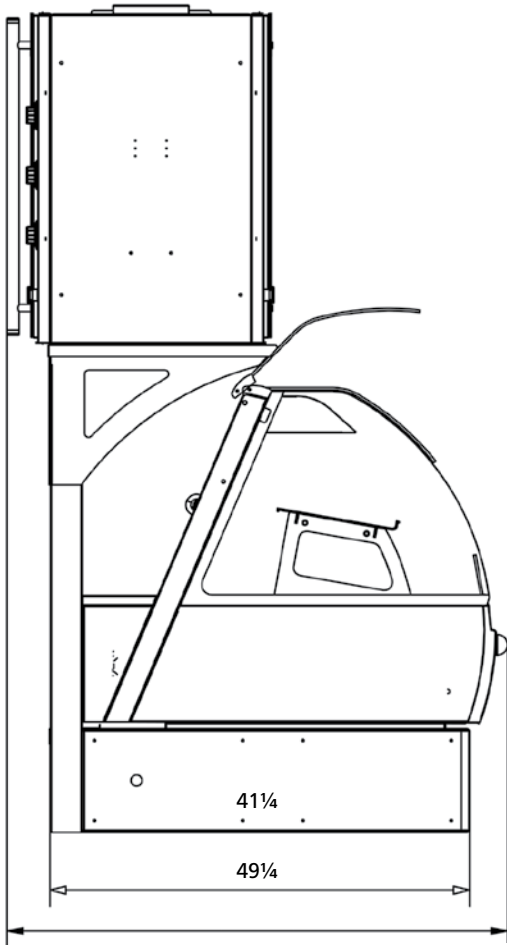
TDR 5 manual



TDR 5 programmable<sup>eco</sup>

Double output on a single spot





## Space Saver

### Dimensions

Width	43 3/4"
Depth	41 1/4"
Height	48"
Height incl. TDR 5	81 1/2"
Net weight	300 lb
Gross weight	309 lb

### Technical data HD 3 self-serve

Net weight	300 lb
Gross weight	353 lb
Voltage	208 V
Phase	3~
Frequency	60 Hz
Power	3.7 kw
Amps	20 A
NEMA	15-20P



### Technical data TDR 5-M and P

Net weight	287 lb
Gross weight	335 lb
Voltage	208 V
Phase	3~
Frequency	60 Hz
Power	6.6 kW
Amps	20 A
NEMA	15-30P

