

### Top features

- Energy-efficient heat exchanger
- Energy savings of 50%
- Up to 30% faster than conventional gas rotisseries

### Standard characteristics

- 7 Meat fork, V-spit, basket or rack positions
- Rotor for up to 35 chicken (1,2 kg) per batch
- Cook time of 65 minutes\*
- Max output in 6 hours:  $360/65 \times 35 = 194^{**}$
- Suitable for gas types propane (G31) and natural gas (G20-G25)
- 15 programs with up to 3 steps
- Convection for even cooking
- Automatic holding, programmable
- 120-degree view and attractive halogen lighting (impulse generator)
- Curved, double glass doors for perfect insulation and safety
- Door at control side; optional door on customer side
- No water and drain connections needed
- Removable parts for easy cleaning
- High quality stainless steel construction, exterior and interior

\* Cook times may vary according to size, marinade, stuffing etc.

\*\* Indication; does not include loading / unloading

### Accessories

- Meat forks (included), multi-purpose baskets, V-spits and chicken racks
- Door handle set for customer side

### Optional

- Single unit stacked on STW holding cabinet



Double glass doors



7 meat fork or basket positions



Control panel



Delicious, juicy chicken

## Rotisseries Gas



### STG 7 Gas Programmable

*With the unique heat exchanger, you can save up to 50% compared to open gas burners. The combination of the heat exchanger with ventilators ensures optimum heat transfer and an even airflow around the meat. The result is evenly cooked products that look and taste delicious.*

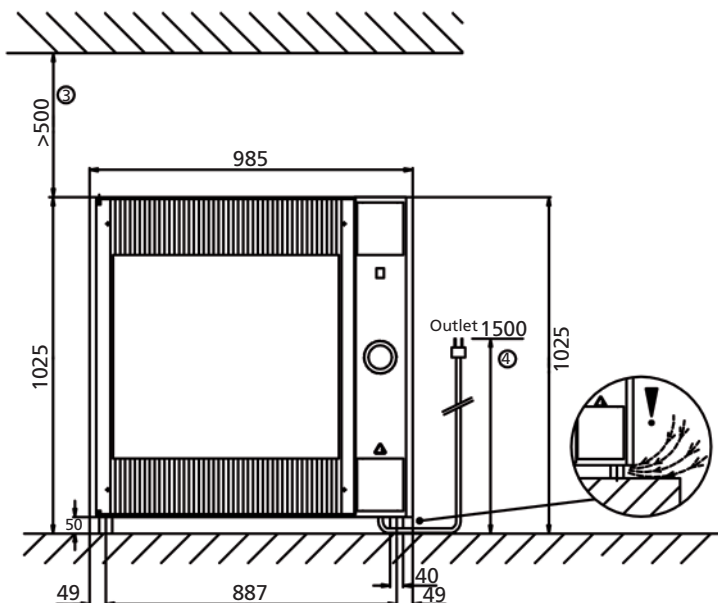
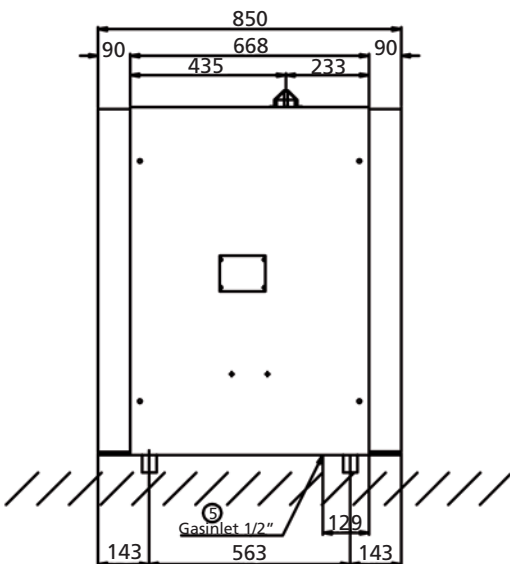
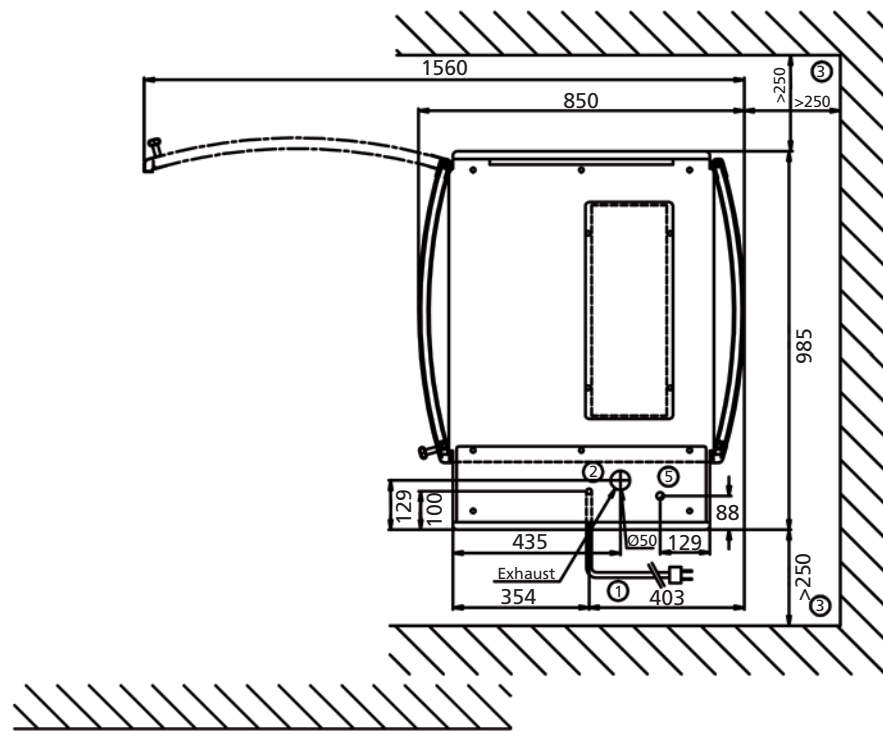
*A gas-powered rotisserie offers you a significant advantage over an electrical device: you can avoid peak-consumption in electricity, saving on power bills. All you need is a 1 phase 230V socket, and you're in business!*

*The STG 7 Gas is a gas-powered rotisserie that offers the same advantages as the electric version: fast and controlled preparation.*

*The STG 7 Gas's unique technology makes it up to 30% faster than conventional gas rotisseries.*

Save 50% on energy





## STG 7 Gas Programmable

| Item | Description         |
|------|---------------------|
| 1    | Power cable 2.2 m   |
| 2    | Exhaust opening     |
| 3    | Space to the wall   |
| 4    | Location for socket |
| 5    | Gas connection      |

### Dimensions

|        |         |
|--------|---------|
| Width  | 985 mm  |
| Depth  | 850 mm  |
| Height | 1025 mm |

### Technical data

|                  |            |
|------------------|------------|
| Net weight       | 204 kg     |
| Gross weight     | 240 kg     |
| Voltage          | 230 V      |
|                  | 1~         |
| Frequency        | 50...60 Hz |
| Electrical power | 0.345 kW   |
| Gas power        | *          |
| Gas types        | G20-25     |
|                  | G31        |
| Gas connection   | 1/2"       |

\* differs per country