

# BIRO®

## *Our Equipment Works Harder So You Don't Have To*

The Biro 44SS Meat Saw is a heavy-duty, high-volume saw that's well-suited for continuous heavy use. It has a 3 hp motor and 4000 feet per minute blade speed that provide you with plenty of power and productivity, and Biro's exclusive EZ-Flow meat carriage helps reduce operator fatigue and increase their productivity. The watertight magnetic starter helps ensure safe, reliable operation, and, when you combine this with the totally enclosed motor, and heavy duty stainless steel base and head, you get a saw that will stand up to daily washdown and harsh cleaners. The 18" wheel size lets you cut larger pieces than other saws, and a broad range of designs, configurations, and options, gives you the flexibility to buy a saw that fits your exact needs. Of course, the 44SS has all of the superior design and engineering features you've come to expect from Biro, which means you'll get years of use, low maintenance, and lower overall cost of ownership. The Biro Model 44SS works harder so you don't have to.



# 44SS



**Stands alone for quality  
and value since 1921**

## SPECIFICATIONS

MODEL  
CONSTRUCTION  
MOTORS

44SS POWER CUTTER (18").  
STAINLESS STEEL HEAD AND BASE.

HP	TYPE	VOLTS	AMPS	CYCLE	PH	STATUS
3	DP	208/220/440	10.5-9.6/4.8	50/60	3	STD
5	WP	575	5.9	60	3	EC
5	WP	208/220/440	17-16/8	50/60	3	EC

DP= DRIP PROOF      EC=EXTRA COST      WP= WATER PROOF  
NC=NO CHARGE      STD-STANDARD

STANDARD FEATURES

TWO SAW BLADES, OPERATION AND SAFETY MANUAL, SAFETY WALL POSTER, END CUT SAFETY PUSHER PLATE.

SWITCH

WATERTIGHT MAGNETIC WITH THERMAL OVERLOAD AND UNDER VOLTAGE PROTECTION.

HEAD AND DOOR  
BASE STRUCTURE

STAINLESS STEEL, MOVABLE.  
STAINLESS STEEL.

BLADE STANDARD

HARD TOOTH, THREE TEETH PER INCH (8.5 MM BETWEEN TEETH), 135" (3429 MM) LONG X 5/8" (16 MM) WIDE, .022" (.56 MM) THICK (TWO SUPPLIED WITH EACH SAW).

BLADE SPEED

4000 FEET (1219 M) PER MINUTE.

BLADE GUIDE

UPPER AND LOWER BLADE BACKUP GUIDE ASSEMBLIES, REMOVABLE, WITH LONG LIFE CARBIDE BACK-UP INSERTS.

BLADE TENSION

RATCHET ARM AND CAM AGAINST POUND TESTED SPRING AND TENSION SPRING GAUGE.

BLADE WHEELS

18" (45.7 CM) CAST IRON, CHROME NICKEL PLATING, UPPER WHEEL ASSEMBLY LIFTS OUT.

BEARINGS

HEAVY DUTY TAPERED ROLLER BEARINGS USED IN UPPER WHEEL AND LOWER BEARING HOUSINGS.

CATCH PAN

POLY, EXTRA DEEP, ROUNDED CORNERS, PAN SEALED OFF FROM OTHER PARTS OF BASE, ACCESSIBLE THROUGH BASE HINGED DOOR.

CLEANING UNIT

STAINLESS STEEL BODY, LONG LIFE CARBIDE GUIDES, STEEL SAW CLEANERS, REMOVABLE AS A UNIT FOR EASY CLEANING (ASSEMBLY ALSO ADJUSTABLE AS A UNIT).

DRIVE SYSTEM

NON SLIP SILENT V-BELT, TENSION ADJUSTABLE.

LEGS

STAINLESS STEEL LEG BOLT LEVELERS.

MEAT CARRIAGE

STAINLESS STEEL EIGHT BEARING E-Z FLOW.

MEAT GAUGE PLATE

STAINLESS STEEL FACED, ADJUSTABLE FROM 1/16" (1.59 MM) TO 6-1/2" (165 MM) LOCKS IN POSITION, CAN BE THROWN OUT OF GEAR, ENTIRE ASSEMBLY REMOVABLE FOR CLEANING.

MOTOR COMPARTMENT

SEALED OFF FROM MEAT CONTACT AREAS, EASILY ACCESSIBLE THROUGH REMOVABLE PANEL DOOR.

PLATTER

ALL STAINLESS STEEL, HELD IN PLACE WITH TWO PUSH PULL HOLD DOWN STAINLESS STEEL RODS.

SAFETY END CUT

STANDARD, REMOVABLE.

PUSHER PLATE

POWER CORD AND PLUG, STATIONARY TABLE, LOW PROFILE HEAD, 1" WIDE BLADE SYSTEM, LEFT HAND FEED, DOUBLE MOVING CARRIAGE, ROLLER TOPS, NARROW GUIDES FOR .018/.46 M THICK BLADE, SPLIT (2 PC) REAR PLATTER, MICRO GAUGE ASSEMBLY, LONGER MEAT GAUGE PLATES, STAINLESS STEEL WHEELS.

OPTIONS (NC)

HIGHER BLADE SPEED, 5000 FEET (1524 M), 6000 FEET (1829 M) PER MINUTE.

CERTIFICATION

U.S.D.A., U.L., N.S.F., C.S.A., C.F.I.A.

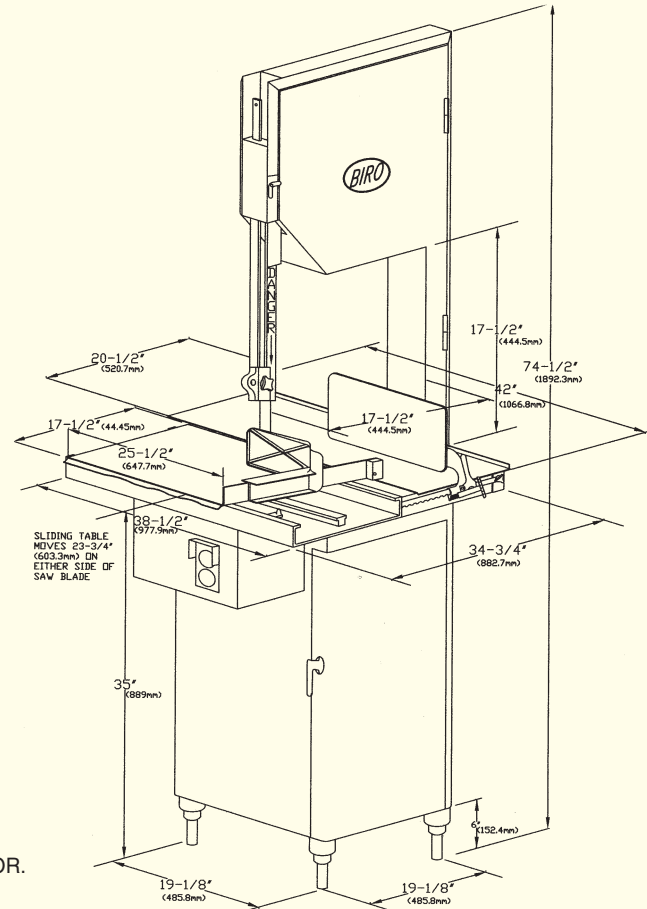
WEIGHT

UNCRATED: 600 LBS. (272 KG) APPROXIMATE.

CRATED: 700 LBS (317 KG) APPROXIMATE.

DIMENSIONS CRATED

L=54" (137.2 CM), W=45" (114.3 CM), H=38" (96.5 CM).



**THE BIRO MANUFACTURING COMPANY**  
**1114 WEST MAIN STREET**  
**MARBLEHEAD, OH 43440-2099 U.S.A.**

**Phone: (419) 798-4451**

**Fax: (419) 798-9106**

**<http://www.birosaw.com>**

**[sales@birosaw.com](mailto:sales@birosaw.com)**

ITEM NO.: LIT 44-058

FORM NO.: Md 44SRS-058-7-06-30-ENG-MARK

Service is available from over 245 locations worldwide