



Fresh ideas in foodservice equipment



BKI's Hot Deli Display Island (MM-4) shown above with optional bread rack shelf and bread box ends



BKI's Tiered Hot Deli Display Island (MM-6) shown above with optional bread rack shelf and bread box ends

Agency Approvals:



Mobile Merchandiser

Model: MM-4, MM-6

4' or 6' Heated Display Merchandiser with Optional Bread Rack Shelf

BKI offers you flexibility when displaying hot food items with our Mobile Merchandiser. Using waterless deli technology, BKI's merchandiser does not require plumbing, affording you limitless flexibility. Extend merchandising time and boost impulse sales with merchandisers that keep food hot and fresh for hours.

Standard Features:

- Continuous 3" bumper around top perimeter of machine
- 6" deep well
- Removable panel for access to serpentine heating elements
- 6" casters for easy mobility
- 8 GA. 6' cord with plug
- Canopy lighting

BKI North America
PO Box 80400
Simpsonville, SC 29680-0400 USA
Telephone: (864) 963-3471
Toll Free: (800) 927-6887

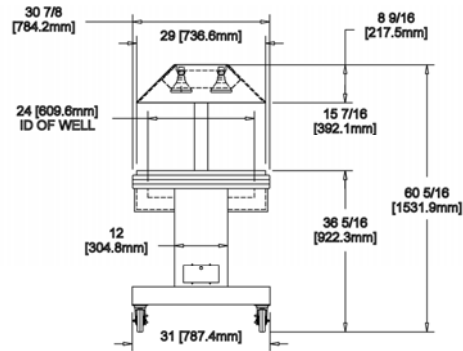
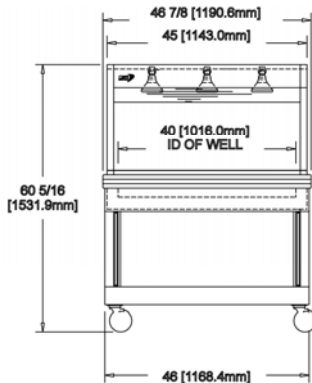
BKI Europe
Theale Technology Centre
Station Road • Theale
Reading • West Berkshire • RG7 4AA
Telephone: 0870 9904242 • Fax: 0870 9904243



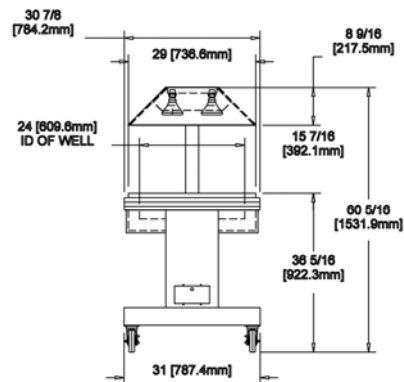
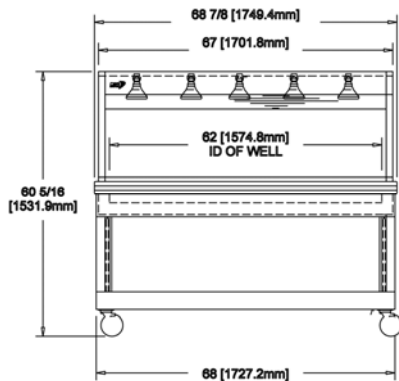
Mobile Merchandiser (MM-4, MM-6)

Equipment Dimensions:

MM-4



MM-6



Mechanical Specifications:

Dimension	MM-4 (Uncrated)	MM-4 (Crated)	MM-6 (Uncrated)	MM-6 (Crated)
Height	60 5/16" (1531.9 mm)	60" (1526.7 mm)	60 5/16" (1531.9 mm)	62" (1577.6 mm)
Width	46 7/8" (1190.6 mm)	44.5" (1132.5 mm)	68 7/8" (1749.4 mm)	44.5" (1132.3 mm)
Depth	30 7/8" (784.2 mm)	58.5" (1488.5 mm)	30 7/8" (784.2 mm)	83.5" (2124.7 mm)
Floor Space	9.6 sq. ft (.9 sq. m)	18.1 sq. ft. (1.68 sq. m)	13.5 sq. ft (1.4 sq. m)	25.8 sq. ft. (2.40 sq. m)
Weight	435 lb. (197.3 kg)	560 lb. (254 kg)	645 lb. (292.6 kg)	687 lb. (311.6 kg)

Electrical Options:

MM-4						MM-6					
Volts	Amps	KW	Breaker	Wires	Phase	Volts	Amps	KW	Breaker	Wires	Phase
120	15	1.8	20	2	1	120	25	3	40	2	1
120	19	2.2	30	2	1	120	31	3.8	40	2	1
220	5.02	1.9	10	2	1	208/240	15	3.5	20	2	1
230	8.38	2.1	15	2	1	240	14.6	3.5	20	2	1
240	8.75	2.1	15	2	1						

Accessories:

• WELL RISER MM4 (FB64242210)
• BREAD RACK SHELF FOR MM-4 (AN64267800)
• WELL RISER MM6 (FB64265910)
• BREAD RACK SHELF FOR MM-6 (AN64267900)
• BREAD BOX FOR MM-4 OR MM-6 (AN64267700)

BKI North America
 PO Box 80400
 Simpsonville, SC 29680-0400 USA
 Telephone: (864) 963-3471
 Toll Free: (800) 927-6887

BKI Europe
 Theale Technology Centre
 Station Road • Theale
 Reading • West Berkshire • RG7 4AA
 Telephone: 0870 9904242 • Fax: 0870 9904243

