



Fresh ideas in foodservice equipment



BKI's LGF-FC Gas Pressure Fryer shown above

Gas Pressure Fryers

Model: LGF, LGF-F, LGF-FC

Large Volume Gas Pressure Fryer with optional Computer and Filter

The safe, efficient and economical Gas Pressure Fryer allows you to feature popular fried food options without the high maintenance and costs. Low-pressure cooking delivers moist, tender fried food with 30% longer holding capability. Patented "Quick-Disconnect" filtration system and "Instant-On" electric igniter ensure simple and easy operation. High quality construction stands up to heavy use. It's the economical choice that is designed to save retail and catering businesses significant fuel and money.

Standard Features:

- 14 lbs. (6.4 kg) Product, 35 lbs. (15.9 kg) Oil Capacity (4 Head Chicken)
- "Instant On" electric igniter
- Built-in cold zone collects surplus breading to allow easier cleaning
- Pressure regulated lid interlock system
- 3" Casters for easy mobility
- External Material (18 gauge, 304 Stainless Steel)

Agency Approvals:



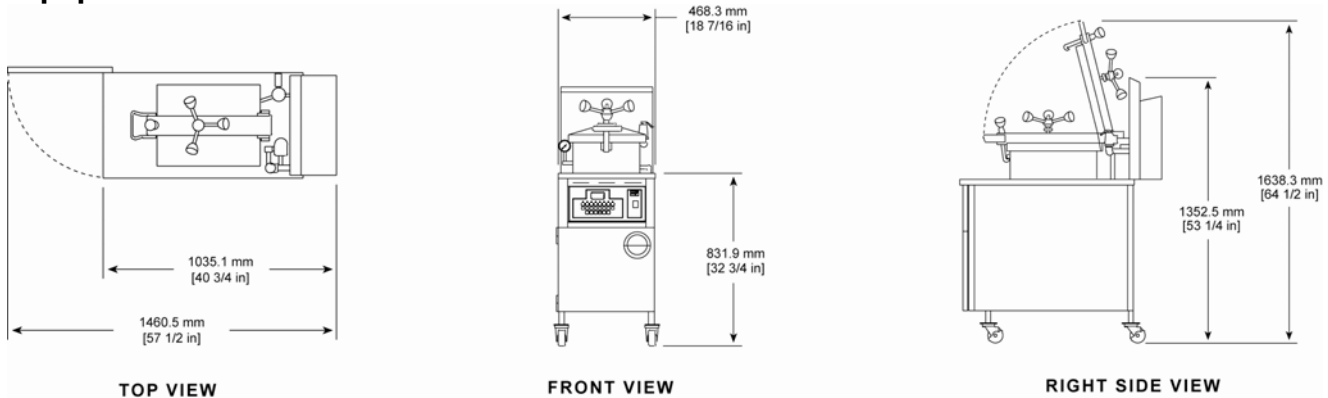
BKI North America
PO Box 80400
Simpsonville, SC 29680-0400 USA
Telephone: (864) 963-3471
Toll Free: (800) 927-6887

BKI Europe
Theale Technology Centre
Station Road • Theale
Reading • West Berkshire • RG7 4AA
Telephone: 0870 9904242 • Fax: 0870 9904243



Gas Pressure Fryers (LGF, LGF-F, LGF-FC)

Equipment Dimensions:



LGF-FC is depicted above but the dimensions shown apply to all models.

Mechanical Specifications:

Dimension	Uncrated	Crated
Height	53.3" (1352.5 mm)	57" (1450.4 mm)
Width	18.5" (469.9 mm)	27" (687 mm)
Depth	40.8" (1035.1 mm)	42" (1068.7 mm)
Floor Space	5.2 sq. ft (.48 sq. m)	7.9 sq. ft (.73 sq. m)
Weight	440 lb. (199.6 kg)	460 lb. (208.7 kg)

Parameter	Value
Operating PSI	12 psi
Safety Release PSI	15 psi

Electrical Options:

Volts	Amps	Breaker	KW	Wires	Phase
120/60Hz	6.8	10	.9	2	1
220/60Hz	7.2	10	1.7	2	1
220/50Hz	7.2	10	1.7	2	1
220/50Hz	7.2	20	1.7	2	1
240/50Hz	7.2	10	1.7	2	1
240/50Hz	7.2	20	1.7	2	1

Gas Options:

	BTU	Inlet Pressure
Natural	90,000/Hr	4" W.C.
LP	80,000/Hr	10.5" W.C.

Accessories (optional)

	LGF	LGF-F	LGF-FC
Restraining device (FT0279)	✓	✓	✓
72" Gas Hose assembly (H0048)	✓	✓	✓
Filter Rinse Hose assembly (SB2332)	✓	✓	✓
Breading Table (420205) & (420206)	✓	✓	✓
Landing Table with Dump Tray (310600)	✓	✓	✓
Cord Set 6', 120V (CS0017)	✓	✓	✓
Layered Basket (B0117B)	✓	✓	✓
White pot scrubber brush (B0049)*	✓	✓	✓
Long black brush (B0051)*	✓	✓	✓
Short black brush (B0052)*	✓	✓	✓
White drain brush (B0075)*	✓	✓	✓
Lift handle assembly (H0151)*	✓	✓	✓
LGF Basket to be used with lift handle H0151 (B0108B)*	✓	✓	✓
13" insulating mitts (G0052)*	✓	✓	✓
cordset 7' (SB7655)	✓	✓	✓
Filter Paper (F10007)**		✓	✓

* - Included with each model

** - 5 included with LGF-F and LGF-FC

Model Features

	LGF	LGF-F	LGF-FC
Microprocessor controlled for enhanced cooking capabilities			✓
"Quick-Disconnect" filter system to ensure user safety and proper filter alignment		✓	✓

BKI North America
 PO Box 80400
 Simpsonville, SC 29680-0400 USA
 Telephone: (864) 963-3471
 Toll Free: (800) 927-6887

BKI Europe
 Theale Technology Centre
 Station Road • Theale
 Reading • West Berkshire • RG7 4AA
 Telephone: 0870 9904242 • Fax: 0870 9904243

